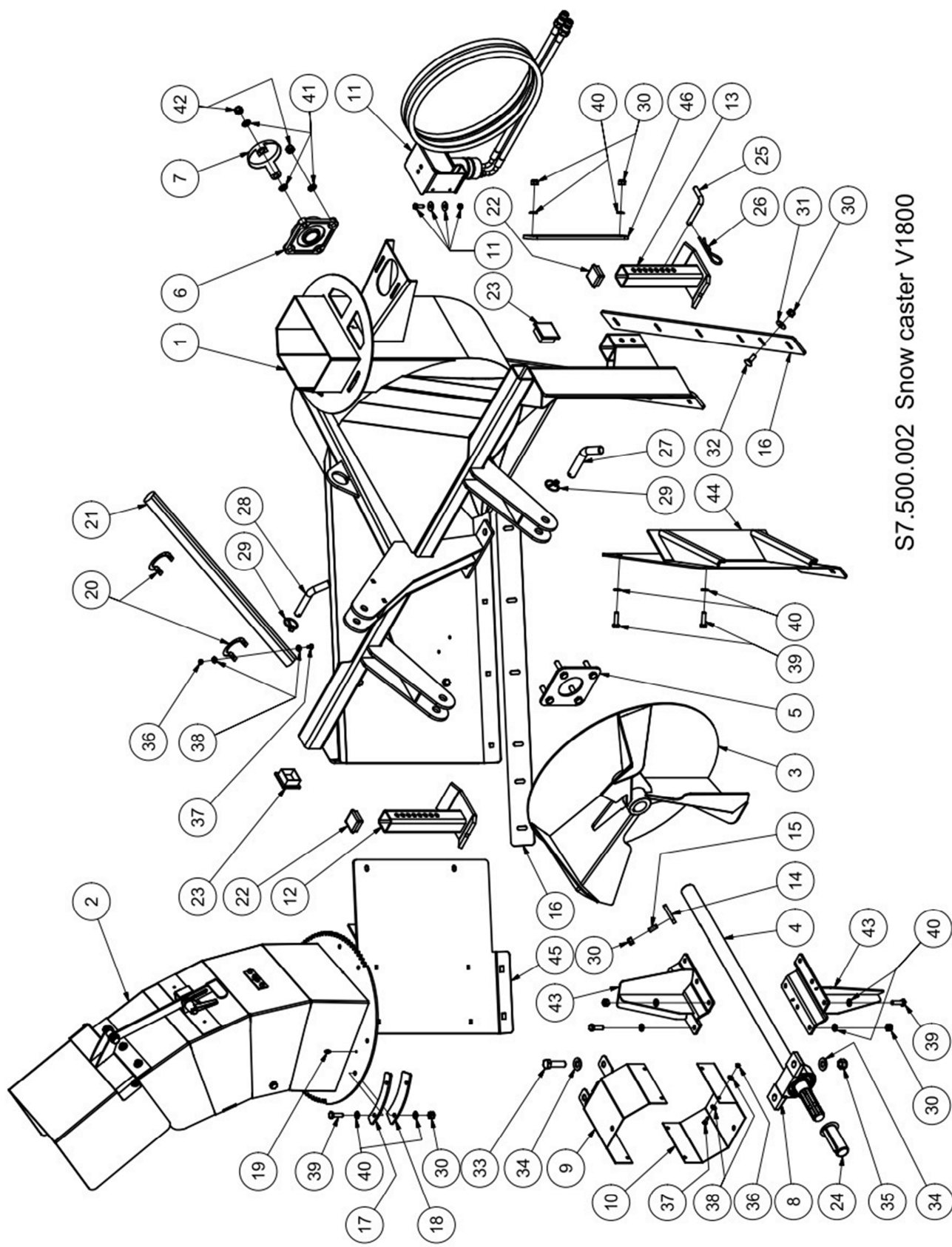


Spare parts list

Typing.	Fabrikationsnr.:
Type no.:	Prod. no.:
Ballart nr.: _____	Prod. nr.: _____
Årgang:	Max. arb. tryk:
Year:	Max. pressure:
Jahr: _____	Max. Druck: _____
Egenvægt:	Spænding:
Own weight:	Voltage:
Eigengewicht: _____	Spannung: _____
Max. last:	
Max. load:	
Max. Last: _____	



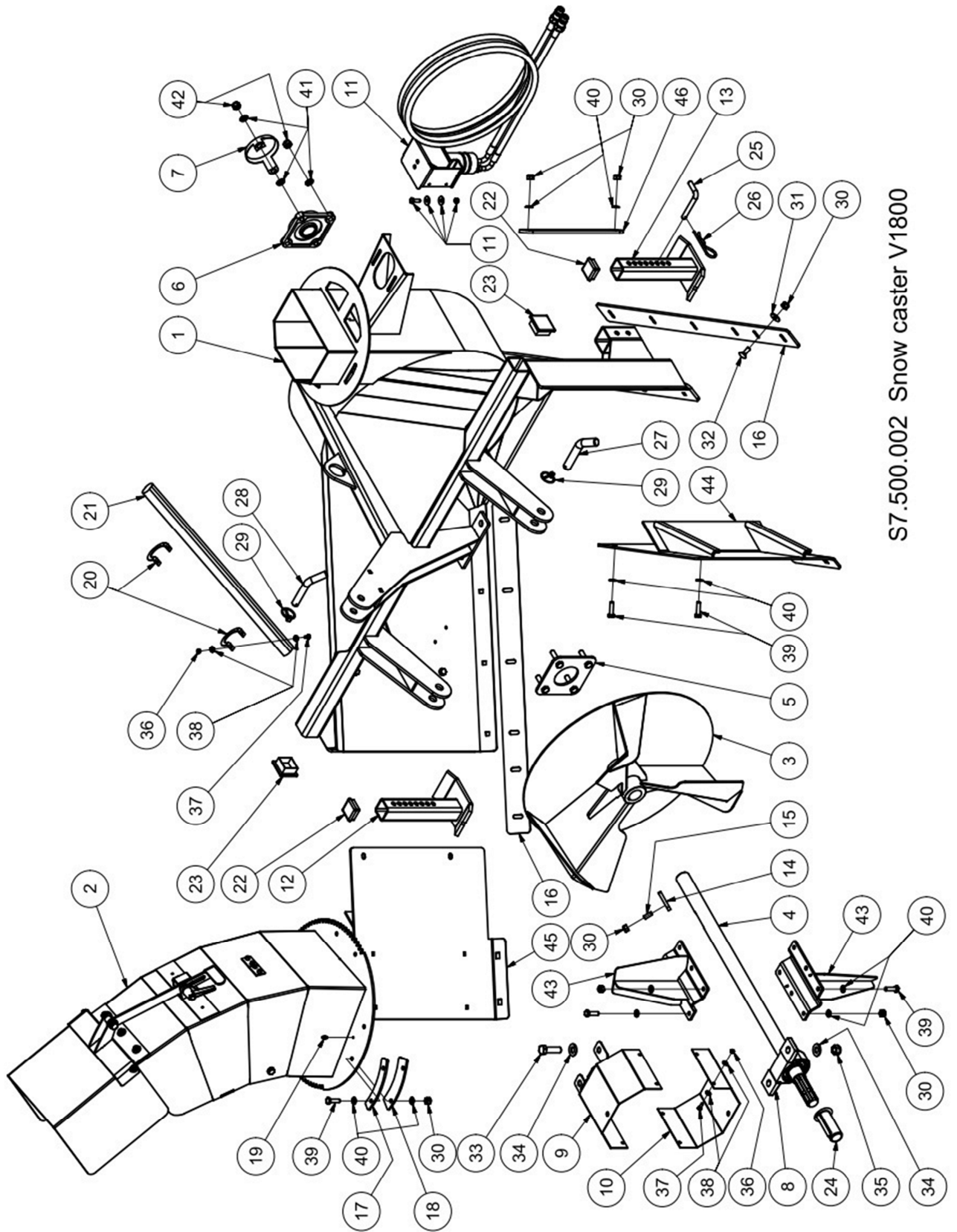
S7.500.002 Snow caster V1800

S7500002 V-1800

BOM version: BOMS7500002R1

Pos.	Item number	Description
01	S7500042	Frame for V1500
02	S7500001*	Nozzle for V1500
03	S7500040	Impeller for V1500
04	S7500105	Shaft for V1500
05	S7500051	Shaft holder for V1500
06	25020400	Flanged bearing 208- ϕ 40
07	s7400040	Bearing cover 208
08	25010500	Pedestal bearing 208
09	S7500053	PTO cover for V1500
10	S7020000	PTO screen, painted
11	S6200000*	Hydraulic control for nozzle, set
12	S7500045	Left support leg for V1500
13	S7500046	Right support leg for V1500
14	S7500130	Drilled key 12x8x70 form A
15	22018041	10x25 45RAW DIN 916 / ISO 4029
16	S7500163	Long shear plate for V1500
17	S7500152	Spacer plate for nozzle turning
18	S7500153	Plate for nozzle rotation
19	21060000	Grease nipple M6X1 straight
20	S4651053	Bended bracket for wooden rod, 2900
21	29011010	Wooden rod 30x40x670
22	8010008	Square plastic cap 50x50 SR1540
23	8010045	Plastic cap 60x60 for 5mm wall
24	8010102	Kapsto shaft cover ϕ 35
25	23006204	Spike ϕ 12 MK IV
26	23006026	ϕ 5x105 SS FZB spring cotter
27	V1016000	Spike for lift arm
28	V1015000	Spike for summit
29	23006000	ϕ 4,5x33x35 SS FZB spring cotter
30	22052004	M10 6 FZB DIN985
31	22058700	M10 140HV FZB DIN9021A/ ISO7093
32	22025302	M10x30 4.6 FZB DIN 603/555
33	22008707	M16x55 8.8 FZB DIN933/ ISO4017
34	22058701	5/8" 35x17x3 8.8 FZB DIN 1440
35	22052007	M16 6 FZB DIN985
36	22052002	M6 6 FZB DIN985

* separate drawing

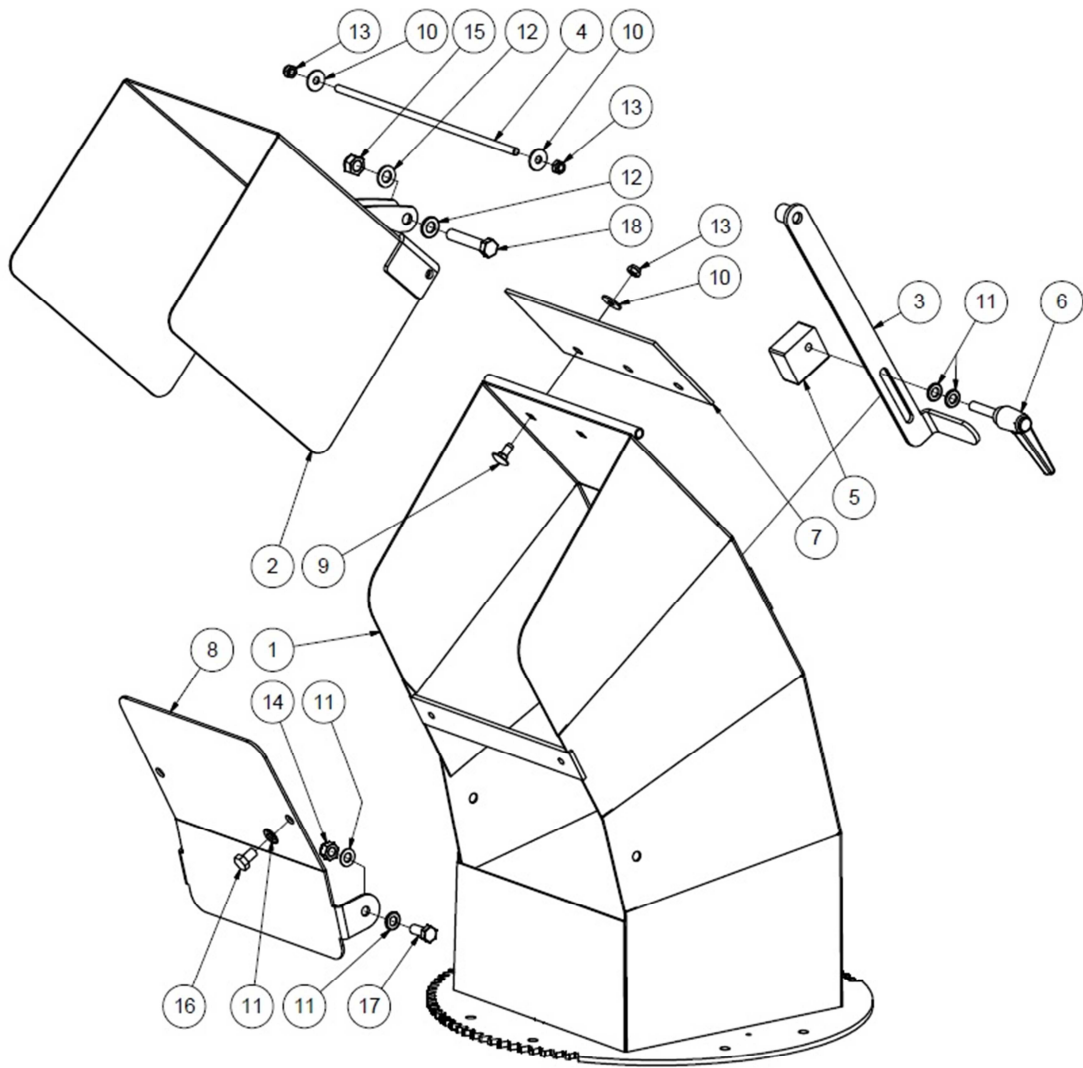


S7.500.002 Snow caster V1800

S7500002 V-1800

BOM version: BOMS7500002R1

37	22008204	M6x16 8.8 FZB DIN933/ ISO4017
38	22058403	1/4" 16x6,5x1 8.8 FZB DIN1440
39	22008405	M10x35 8.8 FZB DIN933
40	22058410	M10 140HV FZB DIN 125 ISO7090
41	22058610	M12 140HV FZB DIN 125 ISO7090
42	22052005	M12 6 FZB DIN985
43	S7500043	Front impeller, welded
44	S7500050	Right side extension for V1500
45	S7500049	Left side extension for V1500
46	S7500165	Support plate for extensions

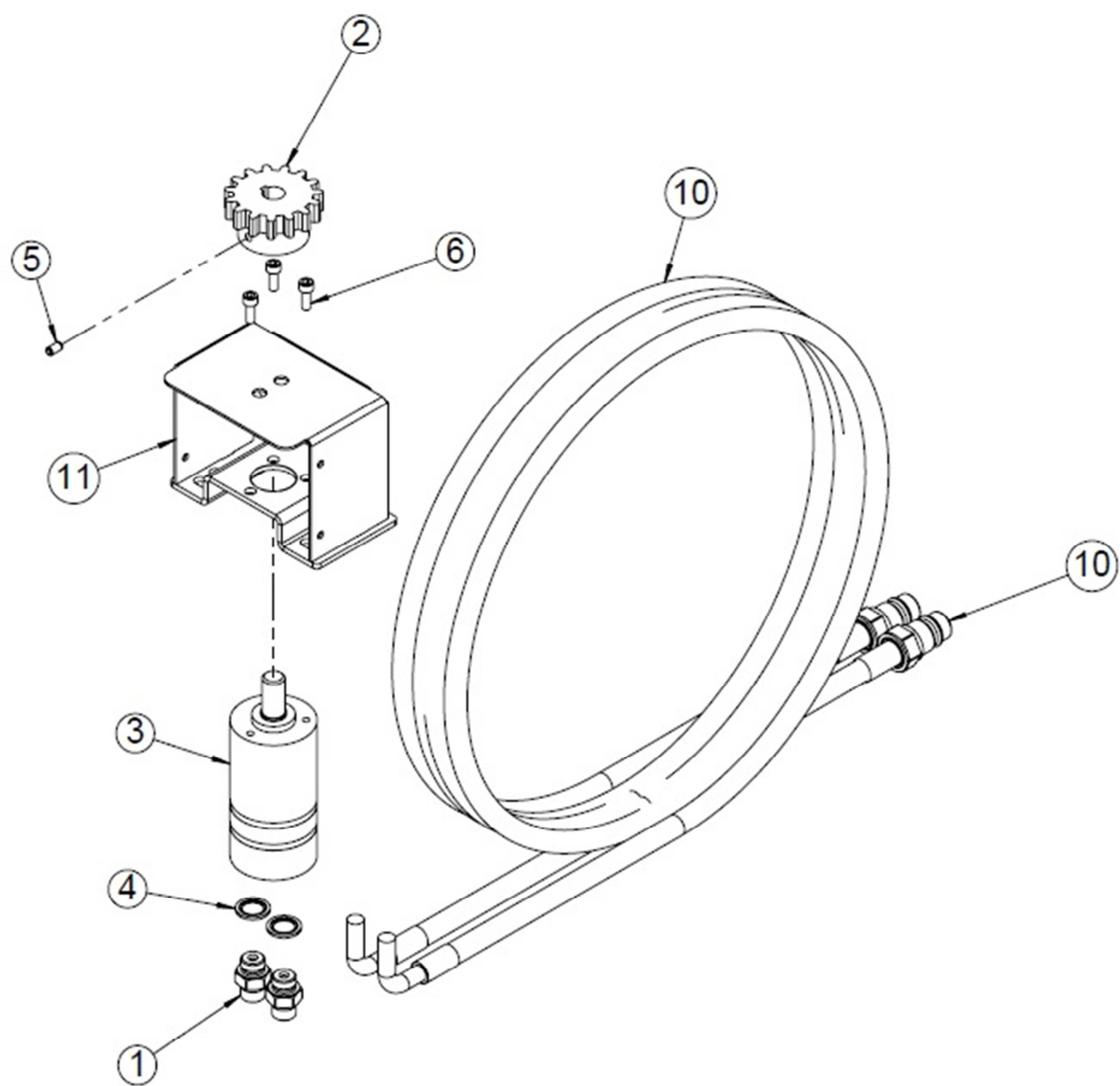


S7.500.001 Nozzle for V1500

S7500001 Nozzle for V1500

BOM version: BOMS7500001

Pos.	Item number	Description
01	S7500044	Nozzle for V1500, welded
02	S7500052	Nozzle flap
03	S7500047	Arm flap welded
04	S7500157	Threaded rod for nozzle V1500
05	S4630215	Intermediate block for 3100, manual nozzle
06	17003004	Adjusting grib form T
07	8000158	Rubber pad for nozzle V1500
08	S7500159	Protection plate for nozzle V1500
09	22025208	M8x20 4.6 FZB DIN 603/555
10	22058600	M8 140HV FZB DIN9021A/ ISO7093
11	22058410	M10 140HV FZB DIN 125 ISO7090
12	22058610	M12 140HV FZB DIN 125 ISO7090
13	22052003	M8 6 FZB DIN985
14	22052004	M10 6 FZB DIN985
15	22052005	M12 6 FZB DIN985
16	22008401	M10x16 8.8 FZB DIN933
17	22008403	M10x25 8.8 FZB DIN933
18	22002303	M12x60 8.8 FZB DIN931



S6200000 Hydraulic control for nozzle, set

BOM version: BOMS6200000

Pos.	Item number	Description
1	S6005103	Nipple for oilengine 3/8"x3/8"
2	S4456109	Gear-wheel for oil engine Z15, M16/Ø16
3	21070100	Oil engine OMM 32 C16 end port
4	21062101	Seal ring 3/8"
5	22018021	M6x10 45RAW DIN 916 / ISO 4029
6	22012205	M6x12 8.8 FZB DIN912/ ISO4762
7	22008304	M8x25 8.8 FZB DIN933/ ISO4017
8	22052003	M8 6 FZB DIN985
9	22058600	M8 140HV FZB DIN9021A/ ISO7093
10	21033431	Hydr. hose ø3/8"x3100 w/ coupling + seal ring
11	S4456043	Console for oil engine